



**Supra Active Wheelchair  
Retail Orderform 2012**



**Billing Information**

Company Name: \_\_\_\_\_  
 Account Number: \_\_\_\_\_  
 Buyer PO No: \_\_\_\_\_  
 Contact: \_\_\_\_\_  
 Addr: \_\_\_\_\_  
 City: \_\_\_\_\_  
 Prov: \_\_\_\_\_ PC: \_\_\_\_\_  
 Phone: \_\_\_\_\_ Fax: \_\_\_\_\_



Hoggi Light Wheel Lock

**Shipping Information**

Shipping address same as billing address     Ship to address below...  
 Addr: \_\_\_\_\_  
 City: \_\_\_\_\_ Prov: \_\_\_\_\_ PC \_\_\_\_\_

**Supra- Paediatric High Performance Rigid Manual Wheelchair ADP Code WM0000462**

**Basic configuration:**

- Powder coated aluminum rigid frame active wheelchair with standard footrest
- 3 sizes: \* Size 1: SW standard\* 24-30cm (9.4"-11.8"), in 2cm (.8") -steps, SD 17-34cm (6.7"-13.4")  
 Size 2: SW standard\* 28-34cm (11"-13.4"), in 2cm (.8") -steps, SD 22-39cm (8.7"-15.4")  
 Size 3: SW standard\* 32-40cm (12.6"-15.7"), in 2cm (.8") -steps, SD 28-45cm (11"-17.7")  
 \*also available in non-standard seat widths.
- Seat height front: 34-49cm (13.4-19.3"), Seat angle: 0° to 15°
- Angle adjustable backrest from 75° to 105°, adjustable seat depth, seat width and backrest height
- Wheel locks integrated in side panels
- Double wall rear wheels incl. push rims with light weight tires and quick release axles
- Wheel camber selection of 3° 6° or 9°
- 75kg (165lb.) weight capacity

**Specifications: Without this information your order cannot be processed**

	<input type="checkbox"/> 24cm	<input type="checkbox"/> 26cm	<input type="checkbox"/> 28cm	<input type="checkbox"/> 30cm	<input type="checkbox"/> 32cm	<input type="checkbox"/> 34cm	<input type="checkbox"/> 36cm	<input type="checkbox"/> 38cm	<input type="checkbox"/> 40cm
Seat Width	(9.45")	(10.25")	(11")	(11.8")	(12.6")	(13.4")	(14.2")	(15")	(15.75")
Camber	<input type="checkbox"/> 3°	<input type="checkbox"/> 6°	<input type="checkbox"/> 9°						
Frame Size	<input type="checkbox"/> Size 1 Seat Depth 17-34cm (6.7-13.4")			<input type="checkbox"/> Size 2 Seat Depth 22-39cm (8.7-15.4")			<input type="checkbox"/> Size 3 Seat Depth 28-45cm (11-17.7")		
Frame Colour	<input type="checkbox"/> Orange (-023)		<input type="checkbox"/> White (-022)		<input type="checkbox"/> Black (-001)				
Ø Rear Wheels	<input type="checkbox"/> 20"	<input type="checkbox"/> 22"	<input type="checkbox"/> 24"						
Ø Front Casters	<input type="checkbox"/> 100mm (3.9")		<input type="checkbox"/> 125mm (4.9")			<input type="checkbox"/> 140mm (5.5")			
Back Height	<input type="checkbox"/> 20cm (7.9")		<input type="checkbox"/> 25cm (9.8")			<input type="checkbox"/> 30cm (11.8")			

**Presettings: Missing information will result in minimum presettings.**

Seat Angle/ Seat Height	<input type="checkbox"/> 0° / _____cm <input type="checkbox"/> 5° / _____cm <input type="checkbox"/> 10° / _____cm <input type="checkbox"/> 15° / _____cm								
See table "Wheel Combinations and Seat Height" for seat height options									
Seat Depth	<input type="checkbox"/> Size 1 Seat Depth 17-34cm (6.7-13.4") _____cm			<input type="checkbox"/> Size 2 Seat Depth 22-39cm (8.7-15.4") _____cm			<input type="checkbox"/> Size 3 Seat Depth 28-45cm (11-17.7") _____cm		
Lower Leg Length	<input type="checkbox"/> Size 1 27-41cm (10.6-16.1") _____cm		<input type="checkbox"/> Size 2 30-44cm (11.8-17.3") _____cm			<input type="checkbox"/> Size 3 34-48cm (13.4-18.9") _____cm			
Back Height*	<input type="checkbox"/> 20-25cm (7.9-9.8") _____cm			<input type="checkbox"/> 25-35cm (9.8-13.8") _____cm			<input type="checkbox"/> 30-40cm (11.8-15.7") _____cm		
*(when selecting telescoping back option)									
Back Angle	<input type="checkbox"/> 75°	<input type="checkbox"/> 80°	<input type="checkbox"/> 85°	<input type="checkbox"/> 90°	<input type="checkbox"/> 95°	<input type="checkbox"/> 100°	<input type="checkbox"/> 105°		
Active Degree	<input type="checkbox"/> -3	<input type="checkbox"/> -2	<input type="checkbox"/> -0	<input type="checkbox"/> 1	<input type="checkbox"/> 2	<input type="checkbox"/> 3	<input type="checkbox"/> 4	<input type="checkbox"/> 5	<input type="checkbox"/> 6
See illustration "Active Degree"									
Push rim Mounting	<input type="checkbox"/> Standard			<input type="checkbox"/> Narrow					

**Specifications (without this information your order cannot be processed)**

Seat width Setting- indicate desired seat width (determines standard or non standard size)

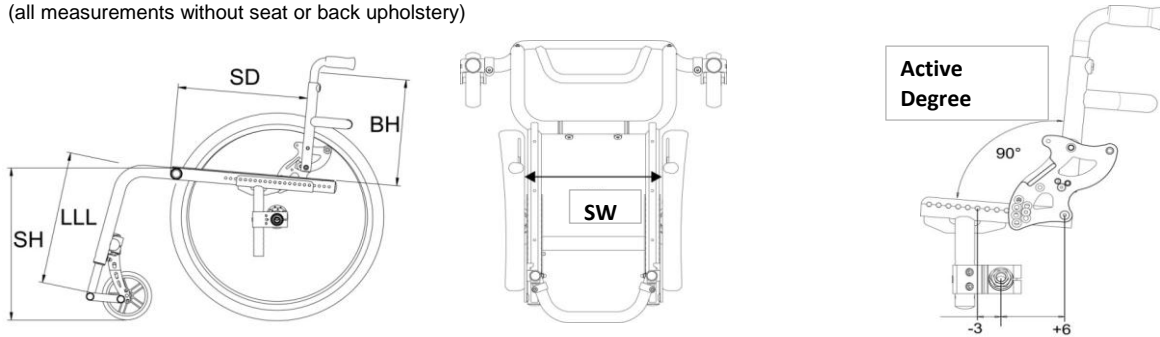
SW	24cm	26cm	28cm	30cm	32cm	34cm	36cm	38cm	40cm
FS	9.45"	10.25"	11"	11.8"	12.6"	13.4"	14.2"	15"	15.75"
Size 1	standard				Non Standard				
	<input type="checkbox"/>	<input type="checkbox"/>	<input type="checkbox"/>	<input type="checkbox"/>	<input type="checkbox"/>	<input type="checkbox"/>	<input type="checkbox"/>	<input type="checkbox"/>	<input type="checkbox"/>
Size 2	Non Standard		standard			Non Standard			
	<input type="checkbox"/>	<input type="checkbox"/>	<input type="checkbox"/>	<input type="checkbox"/>	<input type="checkbox"/>	<input type="checkbox"/>	<input type="checkbox"/>	<input type="checkbox"/>	<input type="checkbox"/>
Size 3	Non Standard				standard				
	<input type="checkbox"/>	<input type="checkbox"/>	<input type="checkbox"/>	<input type="checkbox"/>	<input type="checkbox"/>	<input type="checkbox"/>	<input type="checkbox"/>	<input type="checkbox"/>	<input type="checkbox"/>

FS=Frame size, SW=Seat width

**How to Measure**

**SW = Seat width SD = Seat depth BH = Back height**  
(all measurements without seat or back upholstery)

**LLL = Lower leg length SH= Seat Height**



**Front castors**

Wheel with rubber tire			PU-wheel with aluminium design rim		Skater wheel with LED	
100 x 32 (4"x1¼")	125 x 32mm (5"x1¼")	140 x 40cm (5½"x1½")	100 x 32 (4"x1¼")	125 x 32mm (5"x1¼")	100x24mm (4"x1")	125 x 24mm (5"x1")

## Wheel combinations and seat height

Frame size	Rear wheel	Seat angle (+/-) 1,5°	Seat height Options in cm (Camber 3°)						Seat height options in cm (Camber 6°)						Seat height options in cm(Camber 9°)																																								
			Front wheel 100		Front wheel 125		Front wheel 140		Front wheel 100		Front wheel 125		Front wheel 140		Front wheel 100		Front wheel 125		Front wheel 140																																				
			K	L	K	L	K	L	K	L	K	L	K	L	K	L	K	L	K	L																																			
1	20"	0°	35	36	37	39	40	42	36	37	39	40	41	43	37	38	39	41	42	43	35	36	37	39	40	42	36	37	39	40	41	37	38	39	41	42																			
		5°	35	36		38	39	41	36	38		39	40	41	36	37	38	40	41	42	34	35	36	38	39	41	35	36	38	39	40	41	36	37	38	40	41	42																	
		10°			38	39					38	39	40			37	38	39				37	38	39			35	37	38	39		35	36	38	39	40	36	37	38	40	41														
		15°			38											38							38						37	38			38	39					38	39	40	41													
	22"	0°	36	37		39	40	51	36	37	39	40	41	43	37	38	40	41	42	43	35	36	37	39	40	41	36	37	39	40	41	43	37	38	40	41	42	43																	
		5°			38	39	40		38		39	40	42		37	39		40	41	42		36	38	39	40		36	38	39	40		36	38	39	40		36	38	39	40	41	42													
		10°			39						39	41					40	41					38	39				38	39			38	39			38	39			38	39	40	41												
		15°																						39						39				39							38	39	40	41											
	24"	0°			39	40	41		39		40	41	43	40		41	42	44				38	39	40	41		37	39	40	41		37	39	40	41	43	37	38	40	41	42	43													
		5°			40						42					41	42						39	40				39	40			40	41	42		39	40			39	40	41	42	43											
		10°																																											42										
		15°																																										42											
2	20"	0°	38	39	40			40	41	42					38	39					40	41				38	39	40	42		40	41	42	43		40	41	42																	
		5°	37	38	39	41	42	43	38	40	41	42	43	44	39	40	41					37	38	39	41	42	38	40	41	42		38	40	41	42	43	44	39	40	41	45	44													
		10°	38		40	41	42		38	40		40	42	43	38	39	40	41	43	44		37	38	40	41	42	37	38	40	41	43	44	37	38	40	41	42	43	38	39	40	41	43	44											
		15°			38	39	40				41	42				38	39	40					38	39	40			39	39	41	41		39	40	41	42		38	39	40			39	39	41	41		40	41	42					
	22"	0°	38	39	40			39	41	42				40	41	42					38	39	40			40	41	42	43	44	39	41	42	43	44	40	41	42	44																
		5°	38	39		41	42	43	38	40	41	42	43	44	39	40	41	43	44	45		37	38	39	41	42	43	38	40	41	42	43	37	38	39	41	42	43	38	40	41	43	44	45											
		10°	38		41	42		40		41	42	43		39	40		42	43	44			38	39	41	42		38	39	40	42	43	44	38	39	41	42		39	40	41	42	43	38	39	40	42	43	44							
		15°									42													41																								41	42						
	24"	0°	40	42	43	45		39	40	42	43	44	46	40	41	43	44	45	46		38	39	40	42	43	43	39	40	42	43	43	39	40	42	43	44	46	40	41	43	44	45													
		5°			41	42	42	41		42	43	44	41		43	44	45						40	41	42	42	40	41	42	43	44	40	41	42	43	44	40	41	43	44	45			40	41	43	44	45							
		10°																																																					
		15°																																																					
3	20"	0°	42	43	44			43	44				44		42	43					43				44		42			43																									
		5°	41	42	43	45	46	47	41	43	44	46	47	42		41	42	43	45	46		41	43	44	46		42	44	45	46		41	42	43	45		41	43	44		42	44													
		10°	39	40	42	43	44	45	40	42	43	44	46	47	41		39	40	42	43	44	45	39	40	42	43	44	45	39	40	42	43	44	46	40	42	43	44	46	40	42	43	44	46	41	43	44	45	46						
		15°			42	43	44	41		43	44	45		44	45	46							40	42	43	44	45	40	41	42	44	45	46		40	42	43	44		40	41	43	44	45		41	42	44	45	46					
	22"	0°	42	43	45	46	47	43	44	46			44		42	43	45	46				43	45			44		42	43																										
		5°	41	42	43	45	46	47	42	43	45	46	47	48	43		41	42	43	45	46	47	42	43	45	46	47	43	44	45	46	48		41	41	43	45	46		42	43	45		43	44	45	46	47							
		10°	41	42		43	44	45	41	42	43	44	46	47	42		39	41	42	43	44	45	39	41	42	43	44	45	42	43	44	45	46	47	39	41	42	43	44	45	41	42	43	44	45	46	47	42	43	44	45	46	47		
		15°			43	44					43	44	45		43	45	46						41	42	43	44		42	43	44	45		41	42	43	44		42	42	43	44		42	43	44	45		41	42	43	45	46			
	24"	0°	42	43	44	46	47	48	43	44	46	47	48	49	44		42	43	44	46	47		43	44	46	47	48	44	45	46	48		42	43	44	46		43	44	46															
		5°	42	43		45	46	47	42	43	45	46	47	48	43		41	42	43	45	46	47	42	43	45	46	47	43	44	45	47	48		41	42	43	45	46	47	42	43	45	46	47	48	43	44	45	47	48	49				
		10°			45	46					44	45	46		44	45	46	47					43	44	46	47		43	44	45	47	48		43	44	45	46	47		43	44	45	46		43	44	45	46	47		43	44	45	46	47
		15°																																																					

(Seat height measurements are approximate values, tolerance +/- 10mm)

K = 1281-1010 short wheel fork 1 Set incl.

L = 1281-1011 long wheel fork 1 Set incl.

(x)	Order number	Col.- code	Description	Retail Price
<i>SW= Seat Width. Complete "specifications and presetsings" section before completing order form.</i>				
<input type="checkbox"/>	<b>3251-00SW</b>		<b>SUPRA Active wheelchair, Frame size 1</b>	\$3,450.00
<input type="checkbox"/>	3251-31SW	320	Seat Sling Sz. 1, for standard seat width	incl.
<input type="checkbox"/>	3251-31SW	320	Seat Sling Sz. 1, for non-standard seat width	\$280.00
<input type="checkbox"/>	3251-71SW	322	Seat cushion 3cm thick, for standard seat width	\$191.00
<input type="checkbox"/>	3251-71SW	322	Seat cushion 3cm thick, for non-standard seat width	\$290.00
<input type="checkbox"/>	3251-34SW		Solid Seat Panel Size 1, available for standard seat width only	\$190.00
<input type="checkbox"/>	<b>3252-00SW</b>		<b>SUPRA Active wheelchair, Frame size 2</b>	\$3,450.00
<input type="checkbox"/>	3252-31SW	320	Seat sling Sz. 2, for standard seat width	incl.
<input type="checkbox"/>	3252-31SW	320	Seat sling Sz. 2, for non-standard seat width	\$280.00
<input type="checkbox"/>	3252-71SW	322	Seat cushion 3cm thick, for standard seat width	\$191.00
<input type="checkbox"/>	3252-71SW	322	Seat cushion 3cm thick, For non-standard seat width	\$290.00
<input type="checkbox"/>	3252-34SW		Solid Seat Panel Size 2, available for standard seat width only	\$190.00
<input type="checkbox"/>	<b>3253-00SW</b>		<b>SUPRA Active wheelchair, Frame size 3</b>	\$3,450.00
<input type="checkbox"/>	3253-31SW	320	Seat sling Sz. 3, for standard seat width	incl.
<input type="checkbox"/>	3253-31SW	320	Seat sling Sz. 3, For non-standard seat width	\$280.00
<input type="checkbox"/>	3253-71SW	322	Seat cushion 3cm thick, for standard seat width	\$191.00
<input type="checkbox"/>	3253-71SW	322	Seat cushion 3cm thick For non-standard seat width	\$290.00
<input type="checkbox"/>	3253-34SW		Solid Seat Panel Size 3, available for standard seat width only	\$190.00
<input type="checkbox"/>	3251-3199	-	No seat sling or seat panel	-\$30.00
<input type="checkbox"/>	3251-7300		Tie Down Kit SUPRA according to ISO 7176-19	\$295.00
<input type="checkbox"/>	3251-21SW	-	Back rest frame, fixed back height 20cm (7.9")	incl.
<input type="checkbox"/>	3251-2165		Telescopic tubes for back rest height adjustment of 20-25cm (7.9-9.8")	\$100.00
<input type="checkbox"/>	3251-5101		height adjustable single push handles sz 1, with back rest ht adjustment of 20-25cm *	\$185.00
<input type="checkbox"/>	3251-26SW	320	Back upholstery, Adjustable height 20 - 25cm (7.9-9.8")	incl.
<input type="checkbox"/>	3251-36SW		Back panel trough-shaped, back height 25cm (9.8") (for custom seating, no upholstery)	\$210.00
<input type="checkbox"/>	3251-2699		Omit back upholstery	-\$30.00
<input type="checkbox"/>	<b>3251-22SW</b>	-	<b>Back rest frame, fixed back height 25cm (9.8")</b>	incl.
<input type="checkbox"/>	3251-2175		Telescopic tubes for back rest height adjustment of 25-35cm (9.8-13.8")	\$100.00
<input type="checkbox"/>	3251-5102		height adjustable single push handles sz 2, with back rest ht adjustment of 25-35cm *	\$185.00
<input type="checkbox"/>	3252-26SW	320	Back upholstery, Adjustable height 25 - 35cm (9.8-13.8")	incl.
<input type="checkbox"/>	3252-36SW		Back panel trough-shaped, back height 35cm (for custom seating, no upholstery)	\$210.00
<input type="checkbox"/>	3251-2699		Omit back upholstery	-\$30.00
<input type="checkbox"/>	<b>3251-23SW</b>	-	<b>Back rest frame, fixed back height 30cm (11.8")</b>	incl.
<input type="checkbox"/>	3251-2175		Telescopic tubes for back rest ht adjustment of 30 - 40cm (11.8-15.7")	\$100.00
<input type="checkbox"/>	3251-5102		height adjustable single push handles sz 2, with back rest ht adj. of 30-40cm *	\$185.00
<input type="checkbox"/>	3253-26SW	320	Back upholstery, Adjustable height 30 - 40cm (11.8-15.7")	incl.
<input type="checkbox"/>	3253-36SW		Back panel trough-shaped, back height 45cm (for custom seating, no upholstery)	\$210.00
<input type="checkbox"/>	3251-2699		Omit back upholstery	-\$30.00
* (Single push handles are inserted into the back rest frame tubes, not to be used in combination with telescopic tubes 3251-2175)				
<b>Additional Push Handle/Bar Options*</b>				
<input type="checkbox"/>	3251-52SW		Push bar (Mounted behind the backrest on stabilizer bar)	\$368.00
<input type="checkbox"/>	3251-57SW		High single push handles (Mounted behind the backrest on stabilizer bar)	\$368.00
<input type="checkbox"/>	3251-5501		One-hand push bar (Mounted behind the backrest on stabilizer bar)	\$295.00
*(can be used in combination with telescopic tubes 3251-2175)				
<b>Back Rest Frame Options</b>				
<input type="checkbox"/>	3251-2801	-	Back rest frame, fixed	incl.
<input type="checkbox"/>	3251-28SW	-	Back rest frame with additional recline position (15°) locks in folded position	\$527.00
<b>Foot Rest Options</b>				
<input type="checkbox"/>	3251-39SW	-	Foot rest standard	incl.
<input type="checkbox"/>	3251-3910	-	Foot rest short lower leg length (minimum 15cm/5.9")	\$395.00
<input type="checkbox"/>	3251-45SW	-	Foot rest with non-removable swing up foot board	\$530.00
<input type="checkbox"/>	3251-60SW	-	Foot rest with swing up single foot boards (from SW 28cm/11")	\$580.00



**Supra Active Wheelchair  
Retail Orderform 2012**



(x)	Order number	Col.- code	Description	Retail Price
<b>Wheel/Tire Selections</b>				
<input type="checkbox"/>	1291-0xxx	-	Rear Wheels HOGGI light	incl.
<input type="checkbox"/>	1291-1xxx	-	Rear Wheels with drum brake	\$595.00
<input type="checkbox"/>	3257-1700E		Hoggi light wheel locks	\$229.00
<input type="checkbox"/>	1291-x2xx	-	20" wheel diameter	incl.
<input type="checkbox"/>	1291-x3xx	-	22" wheel diameter	incl.
<input type="checkbox"/>	1291-x4xx	-	24" wheel diameter	incl.
<input type="checkbox"/>	1291-xx1x	-	Pneumatic tires 1"	incl.
<input type="checkbox"/>	1291-xx2x	-	Flat free tires (20x1 3/8", 22x1" und 24x1")	incl.
<input type="checkbox"/>	1291-xxx0	-	Without push rims	incl.
<input type="checkbox"/>	1291-xxx1	-	Push rims aluminium anodised, "standard" mounting	incl.
<input type="checkbox"/>	1291-xxx2	-	Push rims aluminium anodised, "high" mounting	incl.
<input type="checkbox"/>	1291-xxx3	-	Push rims stainless steel, "standard" mounting	\$75.00
<input type="checkbox"/>	1291-xxx4	-	Push rims stainless steel, "high" mounting	\$75.00
<input type="checkbox"/>	3240-1370	-	Camber 3°	incl.
<input type="checkbox"/>	3240-1350	-	Camber 6°	incl.
<input type="checkbox"/>	3240-1360	-	Camber 9°	incl.
<input type="checkbox"/>	1250-1002	-	Wheels with rubber tire 100x32	incl.
<input type="checkbox"/>	1250-1003	-	Wheels with rubber tire 125x32	incl.
<input type="checkbox"/>	1250-1005	-	Wheels with rubber tire 140x40	incl.
<input type="checkbox"/>	1249-1005	-	Skater Wheels with LED 100x24	\$42.00
<input type="checkbox"/>	1249-1006	-	Skater Wheels with LED 125x24	\$56.00
<input type="checkbox"/>	1221-1001	-	PU-Wheels with aluminium design rim 100x32	\$126.00
<input type="checkbox"/>	1221-1002	-	PU-Wheels with aluminium design rim 125x32	\$168.00
<b>Additional Accessories</b>				
<input type="checkbox"/>	3251-2901		Calf Strap Size 1, for set width 24-28cm	\$80.00
<input type="checkbox"/>	3251-2902		Calf Strap Size 2, for seat width 30-34cm	\$80.00
<input type="checkbox"/>	3251-2903		Calf Strap Size 3, for seat width 36-40cm	\$80.00
<input type="checkbox"/>	3251-1801		Anti tip, swingaway, left	\$165.00
<input type="checkbox"/>	3251-1802		Anti tip, swingaway, right	\$165.00
<input type="checkbox"/>	3245-1803		Anti-tip, flip up, left	\$99.00
<input type="checkbox"/>	3245-1804		Anti-tip, flip up, right	\$99.00
<input type="checkbox"/>	3251-1901		Tip assist, left (cannot be used with left anti-tip)	\$95.00
<input type="checkbox"/>	3251-1902		Tip assist, right (cannot be used with right anti-tip)	\$95.00
<input type="checkbox"/>	3251-77SW		Backrest cover, nylon black	\$85.00
<input type="checkbox"/>	3251-7600		Edge protector for back rest tubes and telescopic tubes	\$83.00
<input type="checkbox"/>	1204-1012	-	Spoke guards transparent 20"	\$308.00
<input type="checkbox"/>	1204-1013	-	Spoke guards transparent 22"	\$308.00
<input type="checkbox"/>	1204-1014	-	Spoke guards transparent 24"	\$308.00
<input type="checkbox"/>	1204-1015	-	Push-rim covers in silicone black fluted 20"	\$150.00
<input type="checkbox"/>	1204-1016	-	Push-rim covers in silicone black fluted 22"	\$150.00
<input type="checkbox"/>	1204-1017	-	Push-rim covers in silicone black fluted 24"	\$150.00
<input type="checkbox"/>	3201-6100	-	Lap belt	\$79.00
<input type="checkbox"/>	3201-6400	-	Ankle huger size 1	\$310.00