

**Kids ROCK™ Size 3  
Canadian Retail Pricelist 2009**

Date \_\_\_\_\_

**Billing Information**

Account No \_\_\_\_\_  
 Company Name \_\_\_\_\_  
 PO Number \_\_\_\_\_  
 Contact \_\_\_\_\_  
 Address \_\_\_\_\_  
 City \_\_\_\_\_  
 Prov \_\_\_\_\_ PC \_\_\_\_\_  
 Phone( ) \_\_\_\_\_ x \_\_\_\_\_  
 Fax( ) \_\_\_\_\_  
 **Shipping address same as billing address**  
 ship to address below...  
 Address \_\_\_\_\_  
 City \_\_\_\_\_  
 Prov \_\_\_\_\_ PC \_\_\_\_\_

**Kids Rock™ Chair**

- K3223-00 Kids ROCK Chair 3945.00  
Size 3, silver Metallic Frame

**Kids Rock™ Chair Options**

- KRC302 ROCK ACTIVE™ (Allows Movement) 795.00
- K3223-5000 Transit Option<sup>1</sup> 275.00

**Seat/Back Surface**

- K3223-5100 14-20" Adjustable dept seat pan<sup>1</sup> 250.00
- K3223-5200SA Configurable Adjustable Height Back system with I Back<sup>1</sup> 395.00

**Contoured Back Cushions– Sport Mesh**

*3222-5200SA back system is recommended for these cushions. Each cushion includes 4 adductor wedges and 1 lumbar support.*

**Choose Colour:**

- 306 black Sport Mesh**     **-307 Red/Black Sport Mesh**
- K3229-3610 18-23" Height Back Cushion 375.00
- K3229-3620 22-26" Height Back Cushion 375.00

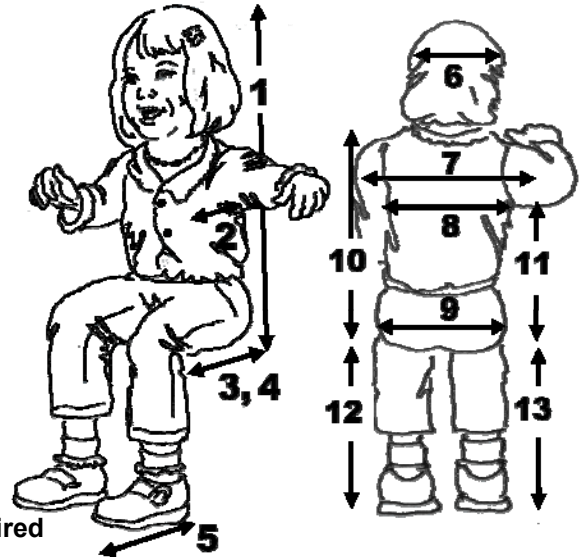
**Extra Covers– Back Cushions**

- Colour will match Cushion Colour Selection*
- K3229-3611 18-23" Back Cushion Cover Only 185.00
  - K3229-3621 22-26" Back Cushion Cover Only 185.00

**Anti-Tips**

- K3223-1700 Rear Anti-Tips w/ Wheels Incl.

**Measurement Worksheet**



\*required

Child's First Name \_\_\_\_\_ Age \_\_\_\_\_

\*Diagnosis \_\_\_\_\_

\*Height ft. \_\_\_\_\_ In. \_\_\_\_\_ \*Weight lbs. \_\_\_\_\_

**Measurements:**

- 1. Top of Head to Seat \_\_\_\_\_
- 2. Trunk Depth \_\_\_\_\_
- 3,4.\* Actual Sitting Depth \_\_\_\_\_
- 5. Foot Length \_\_\_\_\_
- 6. Width of Head \_\_\_\_\_
- 7. Shoulder Width \_\_\_\_\_
- 8. Chest Width \_\_\_\_\_
- 9.\* Hip width \_\_\_\_\_
- 10.\* Top of shoulder to Seat \_\_\_\_\_
- 11. Under Arm to Seat \_\_\_\_\_
- 12,13.\* Lower Leg Length \_\_\_\_\_

**Tension Springs For Active Component**

- K3223-7210 Upper Body Extension Spring, soft (pr) STD
- K3223-7250 Upper Body Extension Spring, med.(pr) N/C
- K3223-7280 Upper Body Extension Spring, hard (pr) N/C
- K3223-7310 Lower Extremity Extension Spring, soft (pr) STD
- K3223-7350 Lower Extremity Extension Spring, med. (pr) N/C
- K3223-7380 Lower Extremity Extension Spring, hard (pr) N/C
- K3223-7200 No Springs - Upper N/C
- K3223-7300 No Springs - Lower N/C

**Footnote**

<sup>1</sup> K3223-5100 Seat System and K3223-5200SA Back System required when selecting transit option.

**Contoured Seat Cushions– Black Mesh**

*Includes 2 adductor wedges and 1 foam abductor wedge. Ischial Insert is required for each seat cushion.*

- K3229-2230-317 14" W x 14-17" D Seat Cushion 390.00
- K3229-3210-317 17" W x 14-17" D Seat Cushion 390.00
- K3229-3220-317 17" W x 17"-20" D Seat Cushion 390.00

**Ischial Inserts for Contoured Seat Cushions**

**Select One with Cushion Purchase:**

*For use in the 3229-2230 contoured seat cushion.*

- K7000-1005 Closed Cell Foam (default), 14" wide STD
- K7000-1006 Soft Memory Foam, 14" wide 85.00
- K7000-1007 Medium memory foam, 14" wide 85.00

*For use in the 3229-32XX series contoured seat cushions.*

- K3229-3401 Closed Cell Foam, 17" wide STD
- K3229-3402 Soft Memory foam, 17" wide 85.00
- K3229-3403 Medium memory foam, 17" wide 85.00

**Contoured Seat Cushion Options**

- K7000-1004 Adductor Wedges, EVA Foam (Pkg. of 4) 58.00
- K3222-7000 Pressure Relief Layer (14x16x1/2") 140.00
- K3223-7000 Pressure Relief Layer (17x20x1/2") 140.00
- K3222-7100 Seat Cushion Wedge (14x8x1") 84.00
- K3223-7100 Seat Cushion Wedge (17x9x1") 84.00

**Extra Covers–Contoured Seat Cushions, Black Mesh**

- K3229-2231-317 14" W x 14-17" D Cushion cover 98.00
- K3229-3211-317 17" W x 14-17" D Cushion cover 98.00
- K3229-3221-317 17" W x 17-20" D Cushion cover 98.00

**Accessories**

- K3223-6700 Adjustable Height Stroller Handles 195.00

**Arm Rest Type**

- K3223-5410 Fixed Height Desk Length 8" (2pc)\* 160.00
- K3223-5420 Adj. Height, Desk Length 8" (2pc)\* 420.00
- K3223-5430 Adj. Height, Full Length 12" (2pc)\* 420.00
- K3223-5440 Fixed Height, Thin Profile 8" (2pc) 160.00
- K3223-5450 Adj. Height Armrest, Thin Profile 8" 420.00

*\* Not for use with use with 24" wheels*

**Lateral Pelvic Thigh Supports**

*Colour will match cushion colour selection*

- K3223-5300L Lateral Pelvic/Thigh Support w/ cover, Left 150.00
- K3223-5300R Lateral Pelvic/Thigh Support w/ cover, Right 150.00

**Tray**

- K3223-6120 Upper Extremity Support Tray - Clear 425.00
- K3223-6110 Upper Extremity Support Tray - Grey 425.00
- K3223-6860 Angle Depth Adj. Tray Hardware– Incl. Incl.

**Life Support Accessories**

- K3223-6820 IV Support Pole<sup>2</sup> 225.00
- K3223-6830 Oxygen Tank Holder<sup>2</sup> - 244.00  
*Specify Tank Size:*
  - D Tank Size
  - E Tank Size
- K3223-6840 Ventilator/Battery Tray for Pulmonetics LTV series ventilators<sup>2</sup> 495.00  
(18" wheel required)
- K3223-6850 Battery/Accessory Tray System<sup>2</sup> 410.00  
(18" wheels required. Does not include ventilator mount for LTV)

**Technical Information:**

Seat Depth	14" – 20"
Seat Width	14" – 17"
Back Height	18" – 26"
Weight Capacity	215 lbs.
Folded Dimensions w/o wheels	W27" x H27" x L37"
Tilt	-5° to 45°
Hip Angle	85°, 92°, 100°, or 108°

Lower Leg Length	13" to 17"
Dorsal/Planter angle	-8° to 45° Flex-ion
Hip Angle Active Range	85° to 130°
Knee Angle Active Range	85° to 135°
Knee Angle Fixed Range	75° to 170°
Height Adjustable Stroller Handles	30" to 48"

**Wheels/Tires/Handrims– Rear**

Rear Wheels: See Fig. 1.2 for Configurations

- K3220-19X0-D18 18" Comp. Wheels (pair)<sup>3</sup>- DEFAULT STD
- K3220-19X0-D24 24" Composite Wheels (pair)<sup>3</sup> N/C

Tires:

- K3220-190X Full Polyurethane Tires w/ Treads (pair) - DEFAULT STD
- K3220-191X Pneumatic Tires (pair) N/C
- K3220-192X Pneumatic w/ Airless Insert (pair) 165.00  
(not available with 18" wheels)

Handrims: (N/A on 18" wheels)

- K3220-1800-DXCC Chrome Handrims (pair) N/C
- K3220-1810-DXCC Plastic Coated Handrims (pair) 145.00
- K3222-9905 Omit Handrims N/C

**Axle Options**

- K3223-1310 Quick release Axle<sup>3</sup> 135.00
- K3223-5600 Adj. Position Axle System<sup>3</sup> 320.00

**Casters-Front**

See figure 1.2 for Axle, Wheel, and Caster Configurations

- K3223-5650C 5"x2" Composite Urethane Casters N/C
- K3223-5620C 8"x2" Pneumatic Casters 195.00  
(8" pneu.casters not available with 18" wheel)
- K3223-5640C 8"x2" Casters w/ Solid Poly. Insert 195.00

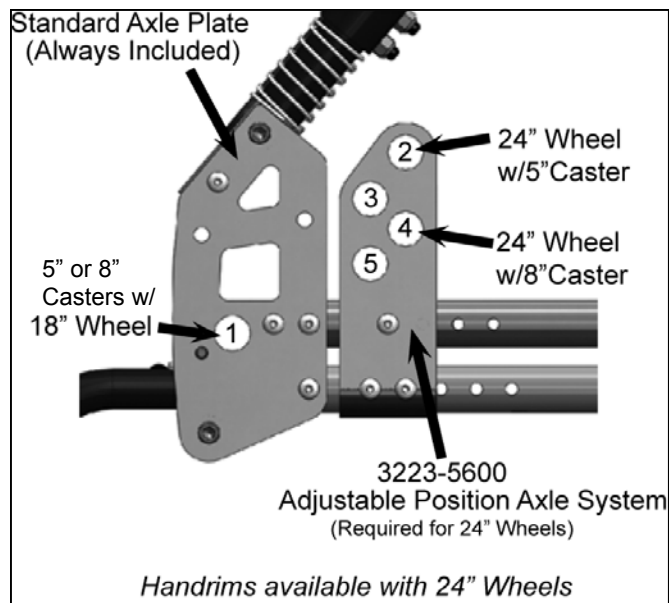
**Front Rigging**

- K3223-5700 90° Fixed Rigging 195.00
- K3223-5800 Angle Adjustable Leg Rest 495.00  
*Knee angle adj. in 18° incr. w/ touch of button*
- K3223-5900 Active-Elevating Legrest 695.00  
*Knee angle adj. in 18° incr. w/ touch of button*  
*Option to allow free movement of lower leg*
- K3223-8800-XXX Calf Protector incl.  
(colour to match cushion)

**Anterior Pelvic Positioning Belts– A.R.T. Group**

- AE-APB6110 Anterior Pelvic Belt, ComforFit, 1" Single Pull, Non-Padded, Side Release 46.00
- AE-APB6210 Anterior Pelvic Belt, ComforFit, 1.5" Single Pull, Non-Padded, Side Release 46.00
- AE-APB7222KU Anterior Pelvic Belt, 1.5" PB Buckle, Dual Pull, 7.5" Pad 119.00
- AE-APB7243KU Anterior Pelvic Belt, 1.5" PB Buckle, 4 PT, 5.5" Pad 146.00
- AE-APB7244KU Anterior Pelvic Belt, 1.5" PB Buckle, 4 PT, 6.5" Pad 146.00

**Fig. 1.2 - Axle, Wheel and Caster Configurations**



**Footplate/ Footplate Accessories**

Requires selection of front rigging

- K3223-5500 90° Fixed Footplate Footplate N/C
- K3223-6100 Quick Angle Adj. Flip Up Footplate 250.00  
-18° to +45° dorsal/plantar flexion w/8 positions  
*Angle adjusts easily with a single pull*

**Footnotes**

- <sup>2</sup> Not tested with Transit Option. Must remove before tie down. For Oxygen Tank Holder specify D or E Tank Size
- <sup>3</sup> 24" wheels require Adjustable Axle System K3223-5600.

**Anterior Trunk Supports— A.R.T. Group**

<input type="checkbox"/> AE-ATS8701KU	ComforFit, Dynamic, Zipper Opening Anterior Support, Small	199.00
<input type="checkbox"/> AE-ATS8702KU	ComforFit, Dynamic, Zipper Opening Anterior Support, Medium	199.00
<input type="checkbox"/> AE-ATS8703KU	ComforFit Dynamic Zipper Opening-Large	199.00
<input type="checkbox"/> AE-ATS8704KU	ComforFit Dynamic Zipper Opening- X-Large	199.00
<input type="checkbox"/> AE-ATS8802KU	ComforFit Dynamic Adjustable, Centre Opening, Medium	199.00
<input type="checkbox"/> AE-ATS8803KU	ComforFit Dynamic Adjustable, Centre Opening, Large	199.00
<input type="checkbox"/> AE-ATS9401KU	Anterior Trunk Support, ComforFit Center Opening Style, Small	199.00
<input type="checkbox"/> AE-ATS9402KU	Anterior Trunk Support, ComforFit Center Opening Style, Medium	199.00
<input type="checkbox"/> AE-ATS9403KU	Anterior Trunk Support, ComforFit Center Opening Style, Large	199.00
<input type="checkbox"/> AE-ATS9404KU	Anterior Trunk Support, ComforFit Center Opening Style, X-Large	199.00

**Lateral Thoracic Supports— A.R.T. Group**

L R (Check L for Left R for Right)

**Fixed Supports**

<input type="checkbox"/> <input type="checkbox"/> AE-LTK22XX	Lateral Thoracic Support Pkg W/Standard Alum Bracket- each	174.00
<input type="checkbox"/> <input type="checkbox"/> AE-LTK23XX	Lateral Thoracic Support Pkg With Standard Alum Bracket, Curved Pad– each	192.00

**Choose Pad Size:**     4" x 5"             4" x 6"

**Swing Away /Retractable Supports Hardware Options:**

<input type="checkbox"/> <input type="checkbox"/> AE-HDA2500	Hardware Addition, E-Z Access - each	215.00
<input type="checkbox"/> <input type="checkbox"/> AE-HDA3700	Hardware Addition, Rear Quick Adjust /E-Z Access - each	257.00
<input type="checkbox"/> <input type="checkbox"/> AE-HDW2521C-L/R	Swing Away Lateral + 1" Depth, ea	N/C
<input type="checkbox"/> <input type="checkbox"/> AE-PRT2626C-L/R-L/R	Swing Away Lateral + 1" Width, ea	N/C

**Head Supports—A.R.T. Group**

<input type="checkbox"/> AE-HSK-CCS3LKU	Med. Contoured Cradle w/Cobra Xtra Mount, Lycra cover, adapter plate	610.00
<input type="checkbox"/> AE-HSK-PL08LKU	8" Plush pad w/Cobra Xtra Mount, Lycra cover, adapter plate	553.00
<input type="checkbox"/> AE-HSK-PL10LKU	10" Plush pad w/Cobra Xtra Mount, Lycra cover, adapter plate	553.00
<input type="checkbox"/> AE-HSK-AP1LKU	Narrow Adjust-A-Plush w/Cobra Xtra Mount, Lycra cover, adapter plate	727.00
<input type="checkbox"/> AE-HSK-AP2LKU	Standard Adjust-A-Plush w/Cobra Xtra Mount, Lycra cover, adapter plate	727.00
<input checked="" type="checkbox"/> AE-HDA7913KU	Mounting Hardware— included with all A.R.T. Group Head Supports	Incl.
<input type="checkbox"/> AE-22450	Headrest Adapter Plate	94.00

**Ankle & Foot Positioning—A.R.T. Group**

<input type="checkbox"/> AE-TST6510L	Foot & Ankle Positioning System, ComforFit, Small, Left	119.00
<input type="checkbox"/> AE-TST6510R	Foot & Ankle Positioning System, ComforFit, Small, Right	119.00
<input type="checkbox"/> AE-TST6520L	Foot & Ankle Positioning System, ComforFit, Medium, Left	119.00
<input type="checkbox"/> AE-TST6520R	Foot & Ankle Positioning System, ComforFit, Medium, Right	119.00
<input type="checkbox"/> AE-TST6540L	Foot & Ankle Positioning System, ComforFit, Large, Left	119.00
<input type="checkbox"/> AE-TST6540R	Foot & Ankle Positioning System, ComforFit, Large, Right	119.00
<input type="checkbox"/> AE-TST6560L	Foot & Ankle Positioning System, ComforFit, X-Large, Left	119.00
<input type="checkbox"/> AE-TST6560R	Foot & Ankle Positioning System, ComforFit, X-Large, Right	119.00
<input type="checkbox"/> AE-32200LTS	Shoe Holder, With Tendon Relief, Small, ea., Left	93.00
<input type="checkbox"/> AE-32200RTS	Shoe Holder, With Tendon Relief, Small, ea., Right	93.00
<input type="checkbox"/> AE-32200LTM	Shoe Holder, With Tendon Relief, Medium, ea., Left	93.00
<input type="checkbox"/> AE-32200RTM	Shoe Holder, With Tendon Relief, Medium, ea., Right	93.00
<input type="checkbox"/> AE-32200LTL	Shoe Holder with Tendon Relief, Large ea. Left	93.00
<input type="checkbox"/> AE-32200RTL	Shoe Holder with Tendon Relief, Large ea. Right	93.00
<input type="checkbox"/> AE-32200LTXL	Shoe Holder with Tendon Relief, X-Large ea. Left	93.00
<input type="checkbox"/> AE-32200RTXL	Shoe Holder with Tendon Relief, X-Large ea. Right	93.00