

Date _____

Billing Information

Account No _____
 Company Name _____
 PO Number _____
 Contact _____
 Address _____
 City _____
 Prov _____ PC _____
 Phone() _____ x _____
 Fax() _____
 Shipping address same as billing address
 ship to address below...
 Address _____
 City _____
 Prov _____ PC _____

Kids Rock™ Chair

- K3222-00 Kids ROCK Chair 3745.00
Size 2, silver Metallic Frame

Kids Rock™ Chair Options

- KRC202 ROCK ACTIVE™ (Allows Movement) 795.00
- K3222-5000 Transit Option¹ 275.00

Seat/Back Surface

- K3222-5100 10-16" Adjustable dept seat pan¹ 250.00
- K3222-5200SA Configurable Adjustable Height Back system with I Back¹ 395.00

Contoured Back Cushions– Sport Mesh

3222-5200SA back system is recommended for these cushions.
 Each cushion includes 4 adductor wedges and 1 lumbar support.

Choose Colour:

- 306 black -307 Red/Black -308 Green/Black
- K3229-2610 12-17" Height Back Cushion 375.00
- K3229-2620 16-22" Height Back Cushion 375.00

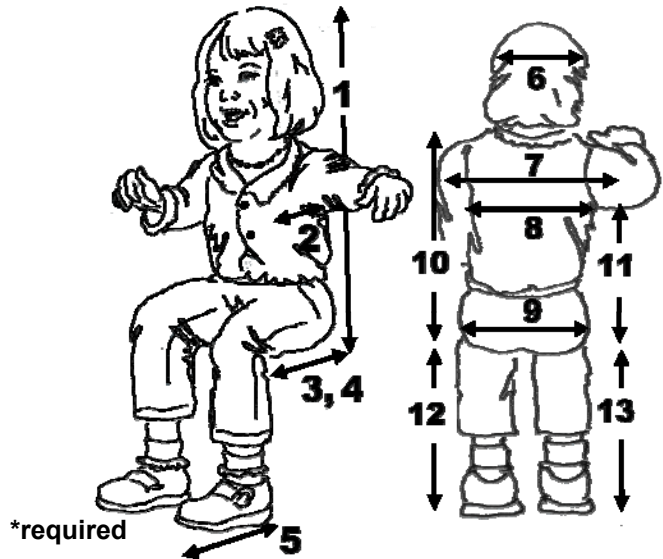
Extra Covers– Back cushions

- Colour will match Cushion Colour Selection
- K3229-2611 12-17" Back Cushion Cover Only 185.00
 - K3229-2621 16-22" Back Cushion Cover Only 185.00

Anti-Tips

- K3222-1700 Rear Anti-Tips w/ Wheels Incl.

Measurement Worksheet



*required

Child's First Name _____ Age _____

*Diagnosis _____

*Height ft. _____ In. _____ *Weight lbs. _____

Measurements:

- 1. Top of Head to Seat _____
- 2. Trunk Depth _____
- 3,4.* Actual Sitting Depth _____
- 5. Foot Length _____
- 6. Width of Head _____
- 7. Shoulder Width _____
- 8. Chest Width _____
- 9.* Hip width _____
- 10.* Top of shoulder to Seat _____
- 11. Under Arm to Seat _____
- 12,13.* Lower Leg Length _____

Tension Springs For Active Component

- K3222-7210 Upper Body Extension Spring, soft (pr) STD
- K3222-7250 Upper Body Extension Spring, med.(pr) N/C
- K3222-7280 Upper Body Extension Spring, hard (pr) N/C
- K3222-7310 Lower Extremity Extension Spring, soft (pr) STD
- K3222-7350 Lower Extremity Extension Spring, med. (pr) N/C
- K3222-7380 Lower Extremity Extension Spring, hard (pr) N/C
- K3222-7200 No Springs - Upper N/C
- K3222-7300 No Springs - Lower N/C

Footnote

¹ K3222-5100 Seat System and K3222-5200SA Back System required when selecting transit option.



Kids ROCK™ Size 2 Canadian Retail Pricelist 2009



Contoured Seat Cushions– Black Mesh

3222-5100 seat pan recommended. Includes 2 adductor wedges and 1 foam abductor pommel. Ischial Insert is required for each seat cushion.

- K3229-2210-317 14" W x 8-11" D Seat Cushion 390.00
- K3229-2220-317 14" W x 11-14" D Seat Cushion 390.00
- K3229-2230-317 14" W x 14-17" D Seat Cushion 390.00
- K3229-1220-317 12" W x 8-11" D Seat Cushion 390.00
- K3229-1230-317 12" W x 10-13" D Seat Cushion 390.00

Ischial Inserts for Contoured Seat Cushions

Select One with Cushion Purchase:

For use in the 3229-22XX series contoured seat cushions.

- K7000-1005 Ischial Insert HR Foam (default), 14" wide STD
- K7000-1006 Ischial Insert Soft Sunmate, 14" wide 85.00
- K7000-1007 Ischial Insert Medium Sunmate, 14" wide 85.00

For use in the 3229-12XX series contoured seat cushions.

- K7000-1024 Ischial Insert HR Foam (default), 12" wide STD
- K7000-1025 Ischial Insert Soft Sunmate, 12" wide 85.00
- K7000-1026 Ischial Insert Medium Sunmate, 12" wide 85.00

Contoured Seat Cushion Options

- K7000-1004 Adductor Wedges, EVA Foam (Pkg. of 4) 58.00
- K3222-7000 Pressure Relief Layer (14x16x1/2") 140.00
- K3221-7000 Pressure Relief Layer (12x10x1/2") 140.00
- K3222-7100 Seat Cushion Wedge (14x8x1") 84.00
- K3221-7100 Seat Cushion Wedge (12x6x1") 84.00

Extra Covers-Contoured Seat Cushions, Black Mesh

- K3229-2211-317 14" W x 8-11" D Cushion cover 98.00
- K3229-2221-317 14" W x 11-14" D Cushion cover 98.00
- K3229-2231-317 14" W x 14-17" D Cushion cover 98.00
- K3229-1221-317 12" W x 8-11" D Cushion cover 98.00
- K3229-1231-317 12" W x 10-13" D Cushion cover 98.00

Arm Rest Type

- K3222-5410 Fixed Height Desk Length 8" (2pc)* 160.00
- K3222-5420 Adj. Height, Desk Length 8" (2pc)* 420.00
- K3222-5430 Adj. Height, Full Length 12" (2pc)* 420.00
- K3222-5440 Fixed Height, Thin Profile 8" (2pc) 160.00
- K3222-5450 Adj. Height Armrest, Thin Profile 8" 420.00

* Not for use with use with 22" or 24" wheels

Lateral Pelvic Thigh Supports

Colour will match cushion colour selection

- K3222-5300L-XXX Lateral Pelvic/Thigh Support w/ cover, Left 150.00
- K3222-5300R-XXX Lateral Pelvic/Thigh Support w/ cover, Right 150.00

Lateral Thoracic Supports

Colour will match cushion colour selection

- K3220-1200L-XXX Teardrop Shape Lateral 45°-Left 160.00
- K3220-1200R-XXX Teardrop Shape Lateral 45°-Right 160.00

Tray

- K3220-6120 Upper Extremity Support Tray - Clear 425.00
- K3220-6110 Upper Extremity Support Tray - Grey 425.00
- ☒ K3223-6860 Angle Depth Adj. Tray Hardware- Incl. Incl.

Technical Information:

Transit Weight Limit	115 lbs.
Overall Width (w/ rear wheels)	26"
Folded Dimensions (rear wheels removed)	26" H x 28" W
Weight (rear wheels and leg rest removed)	32lbs.
Weight (w/ rear wheels and front rigging)	51 lbs. (approx.)
Push Handle Height Range	28" to 40"
Height Adjustable Handlebar Range	30" to 48"
Caster Diameter, Front	5" to 8"
Whel Diameter, Rear	16" to 24"
Seat to Floor Height (5" and 8" Casters)	15.5" and 18.5"
Turning Radius	46"
Seat Depth	10-17"

Seat Width	8 to 14"
Lower Leg Length	10 to 17"
Back Height	12" to 22"
Hip Angle Adjustment	85°, 92°, 100°, 108°
Tilt in Space Range	-5° to +45°
Chest Width Range	5" to 10"
Dorsal/Planar Angle w/ Quick Adjust	-18° to +45°
Hip Angle Active Resistance	Soft, Med, Hard
Hip angle Active Range	85° to 130°
Knee angle Active Range	85° to 135°
Knee Angle w/ Active Resistance	Soft, Med, Hard
Knee Angel/Fixed Adjustments	90°, 75°, 60°

Wheels/Tires/Handrims– Rear

Rear Wheels: See Fig. 1.2 for Configurations

- K3220-19X0-D16 16" Composite Wheels (pair) N/C
- K3220-19X0-D22 22" Comp. Wheels (pair)³- DEFAULT STD
- K3220-19X0-D24 24" Composite Wheels (pair) ³ N/C
(only available with 8" casters)

Tires:

- K3220-190X Full Polyurethane Tires w/ Treads (pair) - DEFAULT STD
- K3220-191X Pneumatic Tires (pair) N/C
- K3220-192X Pneumatic w/ Airless Insert (pair) 165.00

Handrims: (N/A on 16" wheels)

- K3220-1800-DXCC Chrome Handrims (pair) N/C
- K3220-1810-DXCC Plastic Coated Handrims (pair) 145.00
- K3222-9905 Omit Handrims N/C

Axle Options

- K3222-1310 Quick release Axle ³ 135.00
- K3222-5600 Adj. Position Axle System³ 320.00

Casters-Front

- 5" Casters are available with 16" & 22" wheels. 22" wheels require adj. axle system 3222-5600.
- 8" Casters are available with 16", 22" & 24" wheels. 22 & 24" wheels require adj. axle system 3222-5600.

- K3222-5610 5"x2" Composite Urethane Casters N/C
- K3222-5620 8"x2" Pneumatic Casters 195.00
- K3222-5640 8"x2" Casters w/ Solid Poly. Insert 195.00

Front Rigging

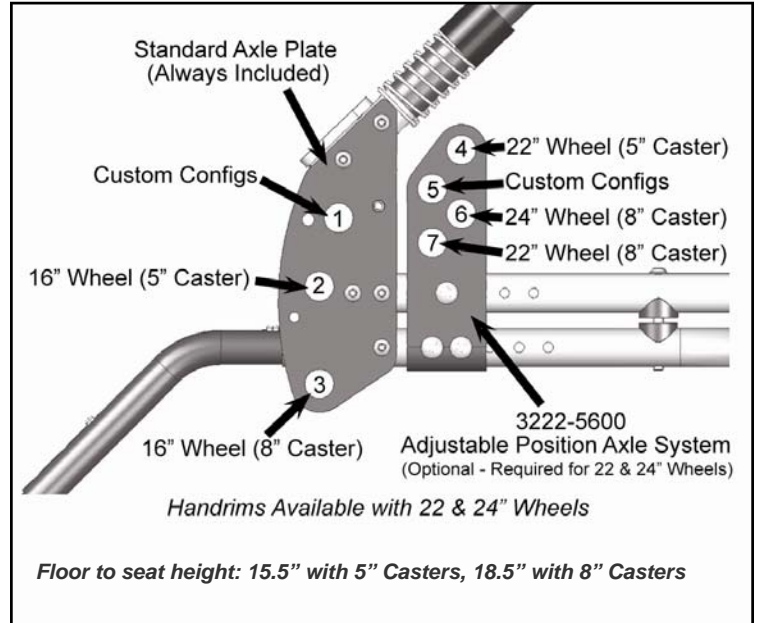
- K3222-5700 90° Fixed Rigging 195.00
- K3222-5800 Angle Adjustable Leg Rest 495.00
Knee angle adj. in 18° incr. w/ touch of button
- K3222-5900 Active-Elevating Legrest 695.00
Knee angle adj. in 18° incr. w/ touch of button
Option to allow free movement of lower leg
- ☑ K3222-8800-XXX Calf Protector incl.
(colour to match cushion)

Footplate/ Footplate Accessories

Requires selection of front rigging

- K3222-5500 90° Fixed Footplate Footplate N/C
- K3222-6000 Bolt Angle Adjustable Footplate 160.00
±8° dorsal/plantar flexion (-8°, 0°, +8°)
- K3222-6100 Quick Angle Adj. Footplate 250.00
-18° to +45° dorsal/plantar flexion w/8 positions
Angle adjusts easily with a single pull
- K3222-7400 Quick Angle Adjustable Flip Up Footplate 250.00

Fig. 1.2 - Axle, Wheel and Caster Configurations



Accessories

- K3224-6600 Canopy with Adapters Grey/Red/Green 299.00
- K3222-6700 Adjustable Height Stroller Handles 195.00

Life Support Accessories

- K3222-6820 IV Support Pole² 225.00
- K3222-6830 Oxygen Tank Holder² 244.00
Specify Tank Size: □ D Tank Size
□ E Tank Size
- K3222-6840 Ventilator/Battery Tray for Pulmonetics LTV series ventilators² 495.00
Requires 8" casters, 16" rear wheels. Requires special tray and are not retrofittable
- K3222-6850 Battery/Accessory Tray System² 410.00
Does not include vent mount for LTV
Requires 8" casters, 16" rear wheels. Requires special tray and are not retrofittable

Footnotes

- ² Not tested with Transit Option. Must be removed before tie down. For Oxygen Tank Holder specify D or E Tank Size
- ³ 22" & 24" wheels require Adjustable Axle System K3222-5600.

Anterior Pelvic Positioning Belts– A.R.T. Group

<input type="checkbox"/>	AE-APB6110	Anterior Pelvic Belt, ComforFit, 1" Single Pull, Non-Padded, Side Release	46.00
<input type="checkbox"/>	AE-APB6210	Anterior Pelvic Belt, ComforFit, 1.5" Single Pull, Non-Padded, Side Release	46.00
<input type="checkbox"/>	AE-APB5125	Anterior Pelvic Belt, Li'l Kiddos, 1" Dual Pull, Padded (4.5" Pad), Push Button	119.00
<input type="checkbox"/>	AE-APB5145	Anterior Pelvic Belt, Li'l Kiddos, Medial 4-Point, 1" PB, X-Small Pads (3.5")	146.00
<input type="checkbox"/>	AE-APB5146	Anterior Pelvic Belt, Li'l Kiddos, Medial 4-Point, 1" PB, Small Pads (4.5")	146.00

Anterior Trunk Supports– A.R.T. Group

<input type="checkbox"/>	AE-ATS9107KU	Anterior Trunk Support, ComforFit Contour Style, Dynamic Pull-Down, E.I.	199.00
<input type="checkbox"/>	AE-ATS9100KU	Anterior Trunk Support, ComforFit Contour Style, Dynamic Pull-Down, X-Small	199.00
<input type="checkbox"/>	AE-ATS8701KU	ComforFit, Dynamic, Zipper Opening Anterior Support, Small	199.00
<input type="checkbox"/>	AE-ATS8702KU	ComforFit, Dynamic, Zipper Opening Anterior Support, Medium	199.00
<input type="checkbox"/>	AE-ATS9407KU	Anterior Trunk Support, ComforFit Center Opening Style, Early Intervention	199.00
<input type="checkbox"/>	AE-ATS9400KU	Anterior Trunk Support, ComforFit Center Opening Style, X-S	199.00
<input type="checkbox"/>	AE-ATS9401KU	Anterior Trunk Support, ComforFit Center Opening Style, Small	199.00
<input type="checkbox"/>	AE-ATS9402KU	Anterior Trunk Support, ComforFit Center Opening Style, Medium	199.00

Lateral Thoracic Supports– A.R.T. Group

Fixed Supports

L R (Check L for Left R for Right)

<input type="checkbox"/>	AE-LTK22XX	Lateral Thoracic Support Pkg W/Standard Alum Bracket- each	174.00
<input type="checkbox"/>	AE-LTK23XX	Lateral Thoracic Support Pkg With Standard Alum Bracket, Curved Pad– each	192.00
<input type="checkbox"/>	AE-LTK72XXKU	Lateral Thoracic Support Pkg, Li'l Kiddos, Standard Alum Bracket– each	131.00
<input type="checkbox"/>	AE-LTK73XXKU	Lateral Thoracic Support Pkg, Li'l Kiddos, Standard Alum Bracket, Curved Pad	150.00

Choose Pad Size: 3" x 4" 4" x 5"

Swing Away /Retractable Supports Hardware Options–

<input type="checkbox"/>	AE-HDA2500	Hardware Addition, E-Z Access, - each	215.00
<input type="checkbox"/>	AE-HDA7500	Hardware Addition to E-Z Access, Li'l Kiddos- each	225.00
<input type="checkbox"/>	AE-HDA7700	Hardware Addition, Rear Quick Adjust & E-Z Access, Li'l Kiddos - each	257.00
<input type="checkbox"/>	AE-PRT7521C-L/R	Swing Away Lateral + 1" Depth, ea	N/C
<input type="checkbox"/>	AE-PRT7626C-L/R	Swing Away Lateral + 1" Width, ea	N/C

Head Supports–A.R.T. Group

<input type="checkbox"/>	AE-HSK-CCS2LKU	Sm. Contoured Cradle w/Cobra Xtra Mount, Lycra cover, adapter plate	610.00
<input type="checkbox"/>	AE-HSK-CCS3LKU	Med. Contoured Cradle w/Cobra Xtra Mount, Lycra cover, adapter plate	610.00
<input type="checkbox"/>	AE-HSK-PL06LKU	6" Plush pad w/Cobra Xtra Mount, Lycra cover, adapter plate	553.00
<input type="checkbox"/>	AE-HSK-PL08LKU	8" Plush pad w/Cobra Xtra Mount, Lycra cover, adapter plate	553.00
<input type="checkbox"/>	AE-HSK-PL10LKU	10" Plush pad w/Cobra Xtra Mount, Lycra cover, adapter plate	553.00
<input type="checkbox"/>	AE-HSK-AP1LKU	Narrow Adjust-A-Plush w/Cobra Xtra Mount, Lycra cover, adapter plate	727.00
<input type="checkbox"/>	AE-HSK-AP2LKU	Standard Adjust-A-Plush w/Cobra Xtra Mount, Lycra cover, adapter plate	727.00
<input checked="" type="checkbox"/>	AE-HDA7933KU	<i>Mounting Hardware– included with all A.R.T. Group Head Supports</i>	<i>Incl.</i>
<input type="checkbox"/>	AE-22450	Headrest Adapter Plate	94.00

Ankle & Foot Positioning–A.R.T. Group

<input type="checkbox"/>	AE-TST6501L	Ankle Positioning System, ComforFit, X-Small, Left	93.00
<input type="checkbox"/>	AE-TST6501R	Ankle Positioning System, ComforFit, X-Small, Right	93.00
<input type="checkbox"/>	AE-TST6510L	Foot & Ankle Positioning System, ComforFit, Small, Left	119.00
<input type="checkbox"/>	AE-TST6510R	Foot & Ankle Positioning System, ComforFit, Small, Right	119.00
<input type="checkbox"/>	AE-TST6520L	Foot & Ankle Positioning System, ComforFit, Medium, Left	119.00
<input type="checkbox"/>	AE-TST6520R	Foot & Ankle Positioning System, ComforFit, Medium, Right	119.00
<input type="checkbox"/>	AE-32200LTS	Shoe Holder, With Tendon Relief, Small, ea., Left	93.00
<input type="checkbox"/>	AE-32200RTS	Shoe Holder, With Tendon Relief, Small, ea., Right	93.00
<input type="checkbox"/>	AE-32200LTM	Shoe Holder, With Tendon Relief, Medium, ea., Left	93.00
<input type="checkbox"/>	AE-32200RTM	Shoe Holder, With Tendon Relief, Medium, ea., Right	93.00