

Date _____

Billing Information	
Account No _____	
Company Name _____	
PO Number _____	
Contact _____	
Address _____	
City _____	
Prov _____ PC _____	
Phone() _____ x _____	
Fax() _____	
<input type="checkbox"/> Shipping address same as billing address	
<input type="checkbox"/> ship to address below...	
Address _____	
City _____	
Prov _____ PC _____	

Kids Rock™ Chair

- K3221-00 Kids ROCK Chair Size 1, Silver Metallic Frame 3645.00

Kids Rock™ Chair Options

- K10E-002 ROCK ACTIVE™ (Allows Movement) 795.00
- K3221-5000 Transit Option¹ 275.00

Seat/Back Surface

- K3221-5100 Adj. Depth Seat Base (6-13")¹ 250.00
- K3221-5200 Config. Adj. Height Back Plate¹ 395.00

Configurable Contoured Back Cushions-Sport Mesh

Back cushions include 4 contouring wedges and lumbar support.

Choose Upholstery Colour:

- Black (306) Red/Black (307) Green/Black (308)

- K3229-1610-XXX 11-15" Back Cushion 375.00
- K3229-1620-XXX 14-20" Back Cushion 375.00

Extra Covers- Back Cushions

- K3229-1611-XXX 11-15" Back Cushion Cover 185.00
- K3229-1621-XXX 14-20" Back Cushion Cover 185.00

Anti-Tips

- K3221-1700 Rear Anti-Tips Incl.

Measurement Worksheet

*Denotes required information

Child's First Name _____ Age _____

*Diagnosis _____

*Height ft. _____ In. _____ *Weight lbs. _____

Measurements:

1.	Top of Head to Seat	_____
2.	Trunk Depth	_____
3,4.*	Actual Sitting Depth	_____
5.	Foot Length	_____
6.	Width of Head	_____
7.	Shoulder Width	_____
8.	Chest Width	_____
9.*	Hip width	_____
10.*	Top of shoulder to Seat	_____
11.	Under Arm to Seat	_____
12,13.*	Lower Leg Length	_____

Tension Springs For Active Component

- K3221-7210 Upper Body Extension Spring, soft (pr) STD
- K3221-7250 Upper Body Extension Spring, med.(pr) N/C
- K3221-7280 Upper Body Extension Spring, hard (pr) N/C
- K3221-9904 Upper Body- No Springs N/C
- K3221-7310 Lower Extremity Extension Spring, soft (pr) STD
- K3221-7350 Lower Extremity Extension Spring, med. (pr) N/C
- K3221-7380 Lower Extremity Extension Spring, hard (pr) N/C
- K3221-9905 Upper Body- No Springs N/C

Footnote

¹ K3221-5100 Seat System and K3221-5200SA Back System Required when selecting transit option



Contoured Seat Cushions– Black Sport Mesh

Seat cushions include 2 adj. adductor wedges & 1 foam abductor pommel.

- K3229-1210-317 12" w x 6-9" d 390.00
- K3229-1220-317 12" w x 8-11" d 390.00
- K3229-1230-317 12" w x 10-13" d 390.00
- K7000-1004 Extra Adductor Wedges (pkg of 4) 58.00
- K3221-7000 Pressure Relief Layer, Sunmate 140.00
- K3221-7100 Wedge for seat Cushion 84.00

Select One with Cushion Purchase:

- K7000-1024 Ischial Insert HR Foam (default) N/C
- K7000-1025 Ischial Insert Soft Sunmate 85.00
- K7000-1026 Ischial Insert Medium Sunmate 85.00

Extra Covers– Contoured Seat Cushions, Black Sport Mesh

- K3229-1211-317 12" w x 6-9" d Cushion Cover 98.00
- K3229-1221-317 12" w x 8-11" d Cushion Cover 98.00
- K3229-1231-317 12" w x 10-13" d Cushion Cover 98.00

Arm Type

- K3221-5440 Basic Bolt on Armrest (2pc) 160.00
- K3221-5410 Fixed Height Desk Length pad 8" (2pc)* 160.00
- K3221-5420 Adjustable Height, Desk Length 8" (2pc)* 420.00
- K3221-5430 Adjustable Height, Full Length 12" (2pc)* 420.00
- K3221-5450 Adj. Height Tubular, Thin Profile 8" (2pc) 420.00

* Not available with 20" wheels

Technical Information:

Transit Weight Limit	80 lbs.
Overall Width (w/ rear wheels)	23.5"
Folded Height (rear wheels removed)	22"
Weight (rear wheels removed)	32.5 lbs
Weight (w/ rear wheels)	39.5 lbs.
Push Handle Height Range	30" to 46"
Caster Diameter, Front	6" or 8"
Wheel Diameter, Rear	12, 14, 18, or 20"
Seat to Floor Height	13" to 15.5"
Turning Radius	45"
Seat Depth	6" to 13"

Lateral Supports

- K3221-5300L-XXX Lateral Pelvic Thigh Support– Left 150.00
- K3221-5300R-XXX Lateral Pelvic Thigh Support– Right 150.00
- K3220-1200L-XXX Teardrop Lateral Thoracic Support 45° Left 160.00
- K3220-1200R-XXX Teardrop Lateral Thoracic Support 45° Right 160.00

Accessories

- K3221-6600 Canopy with Adapters 299.00
- K3221-6700 Adjustable Height Stroller Handles 195.00

Life Support Accessories

- K3221-6820 IV Support Pole² 225.00
- K3221-6830 Oxygen Tank Holder² - 244.00
Specify Tank Size: D Tank Size
 E Tank Size
- K3221-6840 Ventilator/Battery Tray for Pulmonetics LTV series ventilators² 495.00
(14" wheel & 8" casters required)
- K3221-6850 Battery/Accessory Tray System² 410.00
(14" wheels & 8" casters required. Does not include ventilator mount for LTV)

Tray

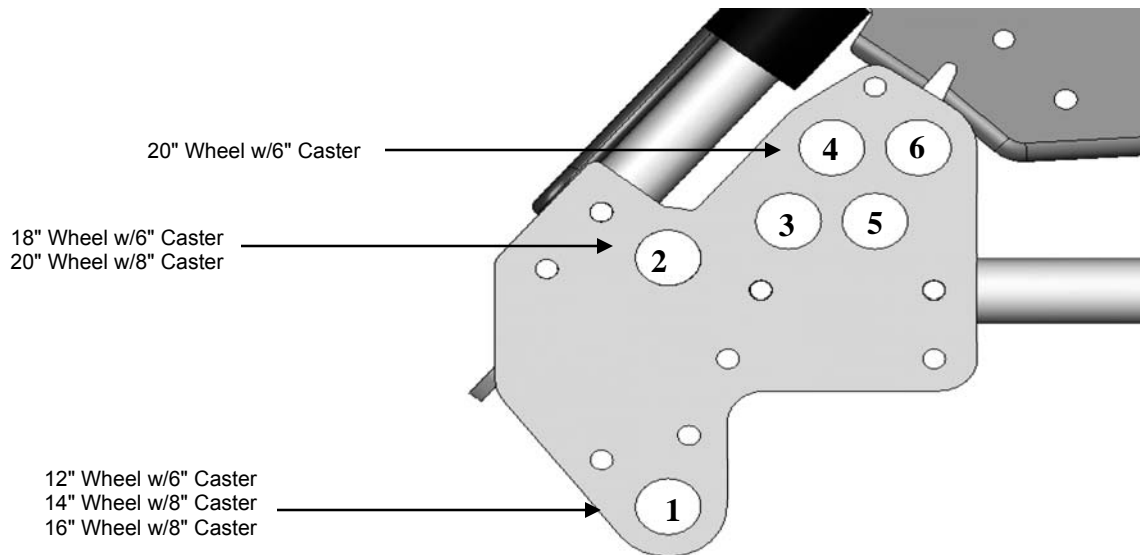
- K3220-6120 Upper Extremity Support Tray - Clear 425.00
- K3220-6110 Upper Extremity Support Tray - Grey 425.00
- K3221-6860 Angle Depth Adj. Tray Hardware– Incl. Incl.

Seat Width	6" to 12"
Lower Leg Length	6" to 13"
Back Height	11" to 20"
Hip Angle Adjustment	82°, 90°, 98°, 106°
Tilt in Space Range	-5° to +45°
Chest Width Range	5.5" to 10"
Dorsal/Planar Angle w/ Quick Adjust	-18° to +45°
Hip Angle Active Resistance	Soft, Med, Hard
Hip angle Active Range	83°, 90°, 97°, 105°
Knee angle Active Range	85° to 135°
Knee Angle w/ Active Resistance	Soft, Med, Hard
Knee Angel/Fixed Adjustments	90°, 75°, 60°

Footnote

² Not tested with Transit Option. Must remove prior to tie-down. For Oxygen Tank Holder specify D or E Tank Size

Kids Rock Size 1 Wheel Configurations



Wheels/Tires/Handrims- Rear

Wheels:

<input type="checkbox"/>	K3220-19X0-D18	18" Composite Wheels (pair)	N/C
<input type="checkbox"/>	K3220-19X0-D20	20" Composite Wheels (pair)	N/C
<input type="checkbox"/>	K3220-19X0-D12	12" Composite Wheels (pr)- DEFAULT	N/C
<input type="checkbox"/>	K3220-19X0-D14	14" Composite Wheels (pair) (only avail. w/ 8" casters)	N/C

Tires:

<input type="checkbox"/>	K3220-190X	Full Polyurethane Tires w/ Treads (pair) - DEFAULT	N/C
<input type="checkbox"/>	K3220-191X	Pneumatic Tires (pair)	N/C
<input type="checkbox"/>	K3220-192X	Pneumatic w/ Airless Insert (pair) (n/a on 18" wheels)	165.00

Handrims: only available on 20" wheels

<input type="checkbox"/>	K3220-1800-DXXC	Chrome Handrims 20" (pair)	N/C
<input type="checkbox"/>	K3220-1810-DXXC	Plastic Coated Handrims 20" (pair)	145.00
<input type="checkbox"/>	K3220-9905	Omit Handrims	N/C

Axle Options

<input type="checkbox"/>	K3222-1310	Quick Release Axle	135.00
<input type="checkbox"/>	K3221-5630	Cambered Axle, 4° (w/ 6" caster/20" rear wheel config only)	180.00

Casters-Front

<input type="checkbox"/>	K3221-5610	6"x2" Composite Urethane Casters	N/C
<input type="checkbox"/>	K3221-5620	8"x2" Pneumatic Casters	195.00
<input type="checkbox"/>	K3221-5640	8" x 2" Casters w/ Solid Poly Inserts	195.00

Front Rigging

<input type="checkbox"/>	K3221-5700	90° Fixed Rigging	195.00
<input type="checkbox"/>	K3221-5800	Elevating Legrest <i>Knee angle adj. in 15° incr. w/ touch of button</i>	495.00
<input type="checkbox"/>	K3221-5900	Active-Elevating Legrest <i>Knee angle adj. in 15° incr. w/ touch of button Option to allow free movement of lower leg</i>	695.00
<input checked="" type="checkbox"/>	K3221-8800-xxx	Calf Protector (colour to match cushion)	Incl.

Footplate/ Footplate Accessories

Requires selection of front rigging

<input type="checkbox"/>	K3221-5500	90° Footplate	N/C
<input type="checkbox"/>	K3221-6000	Angle Adjustable Footplate <i>± 35° Dorsal/Plantar Flexion 7° increments up or down</i>	160.00

Anterior Pelvic Positioning Belts– A.R.T. Group

<input type="checkbox"/> AE-APB6110KU	Anterior Pelvic Belt, ComforFit, 1" Single Pull, Non-Padded, Side Release	46.00
<input type="checkbox"/> AE-APB5125KU	Anterior Pelvic Belt, Li'l Kiddos, 1" Dual Pull, Padded (4.5" Pad), Push Button	119.00
<input type="checkbox"/> AE-APB5145KU	Anterior Pelvic Belt, Li'l Kiddos, Medial 4-Point, 1" PB, X-Small Pads (3.5")	146.00
<input type="checkbox"/> AE-APB5146KU	Anterior Pelvic Belt, Li'l Kiddos, Medial 4-Point, 1" PB, Small Pads (4.5")	146.00

Anterior Trunk Supports– A.R.T. Group

<input type="checkbox"/> AE-ATS9107KU	Anterior Trunk Support, ComforFit Contour Style, Dynamic Pull-Down, E.I.	199.00
<input type="checkbox"/> AE-ATS9100KU	Anterior Trunk Support, ComforFit Contour Style, Dynamic Pull-Down, X-Small	199.00
<input type="checkbox"/> AE-ATS8701KU	ComforFit, Dynamic, Zipper Opening Anterior Support, Small	199.00
<input type="checkbox"/> AE-ATS8702KU	ComforFit, Dynamic, Zipper Opening Anterior Support, Medium	199.00
<input type="checkbox"/> AE-ATS9407KU	Anterior Trunk Support, ComforFit Center Opening Style, Early Intervention	199.00
<input type="checkbox"/> AE-ATS9400KU	Anterior Trunk Support, ComforFit Center Opening Style, X-S	199.00
<input type="checkbox"/> AE-ATS9401KU	Anterior Trunk Support, ComforFit Center Opening Style, Small	199.00
<input type="checkbox"/> AE-ATS9402KU	Anterior Trunk Support, ComforFit Center Opening Style, Medium	199.00

Lateral Thoracic Supports– A.R.T. Group

Fixed

L R (Check L for Left R for Right)

<input type="checkbox"/> <input type="checkbox"/> AE-LTK22XX	Lateral Thoracic Support Pkg W/Standard Alum Bracket-, Planar Pad—each	174.00
<input type="checkbox"/> <input type="checkbox"/> AE-LTK23XX	Lateral Thoracic Support Pkg With Standard Alum Bracket, Curved Pad– each	192.00
<input type="checkbox"/> <input type="checkbox"/> AE-LTK72XXKU	Lateral Thoracic Support Pkg, Li'l Kiddos, Standard Alum Bracket, Planar Pad– ea	131.00
<input type="checkbox"/> <input type="checkbox"/> AE-LTK73XXKU	Lateral Thoracic Support Pkg, Li'l Kiddos, Standard Alum Bracket, Curved Pad–ea	150.00

Choose Pad Size: 3" x 4" 4" x 5"

Swing Away /Retractable Supports Hardware Additions

<input type="checkbox"/> <input type="checkbox"/> AE-HDA2500	Hardware Addition, E-Z Access - each	215.00
<input type="checkbox"/> <input type="checkbox"/> AE-HDA7500	Hardware Addition to E-Z Access, Li'l Kiddos - each	225.00
<input type="checkbox"/> <input type="checkbox"/> AE-HDA7700	Hardware Addition, Rear Quick Adjust & E-Z Access, Li'l Kiddos - each	257.00
<input type="checkbox"/> <input type="checkbox"/> AE-PRT7521C-L/R	Swing Away Lateral + 1" Depth, ea	N/C
<input type="checkbox"/> <input type="checkbox"/> AE-PRT7629C-L/R	Swing Away Lateral + 1" Width, ea	N/C

Head Supports—A.R.T. Group

<input type="checkbox"/> AE-HSK-CCS2LKU	Sm. Contoured Cradle w/Cobra Xtra Mount, Lycra cover, adapter plate	610.00
<input type="checkbox"/> AE-HSK-CCS3LKU	Med. Contoured Cradle w/Cobra Xtra Mount, Lycra cover, adapter plate	610.00
<input type="checkbox"/> AE-HSK-PL06LKU	6" Plush pad w/Cobra Xtra Mount, Lycra cover, adapter plate	553.00
<input type="checkbox"/> AE-HSK-PL08LKU	8" Plush pad w/Cobra Xtra Mount, Lycra cover, adapter plate	553.00
<input type="checkbox"/> AE-HSK-PL10LKU	10" Plush pad w/Cobra Xtra Mount, Lycra cover, adapter plate	553.00
<input type="checkbox"/> AE-HSK-AP1LKU	Narrow Adjust-A-Plush w/Cobra Xtra Mount, Lycra cover, adapter plate	727.00
<input type="checkbox"/> AE-HSK-AP2LKU	Standard Adjust-A-Plush w/Cobra Xtra Mount, Lycra cover, adapter plate	727.00
<input checked="" type="checkbox"/> AE-HDA7933KU	<i>Mounting Hardware— included with all A.R.T. Group Head Supports</i>	<i>Incl.</i>
<input type="checkbox"/> AE-22450	Headrest Adapter Plate	94.00

Ankle & Foot Positioning—A.R.T. Group

<input type="checkbox"/> AE-TST6501L	Ankle Positioning System, ComforFit, X-Small, Left	93.00
<input type="checkbox"/> AE-TST6501R	Ankle Positioning System, ComforFit, X-Small, Right	93.00
<input type="checkbox"/> AE-TST6510L	Foot & Ankle Positioning System, ComforFit, Small, Left	119.00
<input type="checkbox"/> AE-TST6510R	Foot & Ankle Positioning System, ComforFit, Small, Right	119.00
<input type="checkbox"/> AE-TST6520L	Foot & Ankle Positioning System, ComforFit, Medium, Left	119.00
<input type="checkbox"/> AE-TST6520R	Foot & Ankle Positioning System, ComforFit, Medium, Right	119.00
<input type="checkbox"/> AE-32200LTS	Shoe Holder, With Tendon Relief, Small, ea., Left	93.00
<input type="checkbox"/> AE-32200RTS	Shoe Holder, With Tendon Relief, Small, ea., Right	93.00
<input type="checkbox"/> AE-32200LTM	Shoe Holder, With Tendon Relief, Medium, ea., Left	93.00
<input type="checkbox"/> AE-32200RTM	Shoe Holder, With Tendon Relief, Medium, ea., Right	93.00